

# 9RLS2 Submittal

## AOU9RLS2, ASU9RLS2 Inverter Driven Heat Pump



Job Name: \_\_\_\_\_  
 Location: \_\_\_\_\_  
 Engineer: \_\_\_\_\_  
 Submitted to: \_\_\_\_\_  
 Submitted by: \_\_\_\_\_  
 Reference: \_\_\_\_\_

Approval: \_\_\_\_\_  
 Date: \_\_\_\_\_  
 Construction: \_\_\_\_\_  
 Unit #: \_\_\_\_\_  
 Drawing #: \_\_\_\_\_

<b>Outdoor Unit Power</b>	208-230/VAC-1Ph-60Hz
Available Voltage Range	187-253VAC
Fuse Size, Max.	20A
MCA	10.5A
<b>Compressor</b>	Inverter Driven Variable Speed DC Rotary
No. used	1
Output	850W
Lubrican Oil	POE (RB68)
<b>Fan type</b>	Propeller
Motor Output	115W
Airflow Rate	Cooling/Heating (High) 1082 / 1840CFM
<b>Refrigerant</b>	410A
Outdoor Unit	2lbs 10oz
Control	Electronic Expansion Valve
O.D. Discharge (in)	1/4"(Flare)
O.D Suction (in)	3/8"(Flare)
<b>Dimensions</b>	H x W x D
Uncrated (in)	24-1/2 x 31-3/32 x 11-11/32
(mm)	(620 x 790 x 290)
Crated (in)	28-1/16 x 37-7/32 x 15-9/16
(mm)	(713 x 945 x 395)

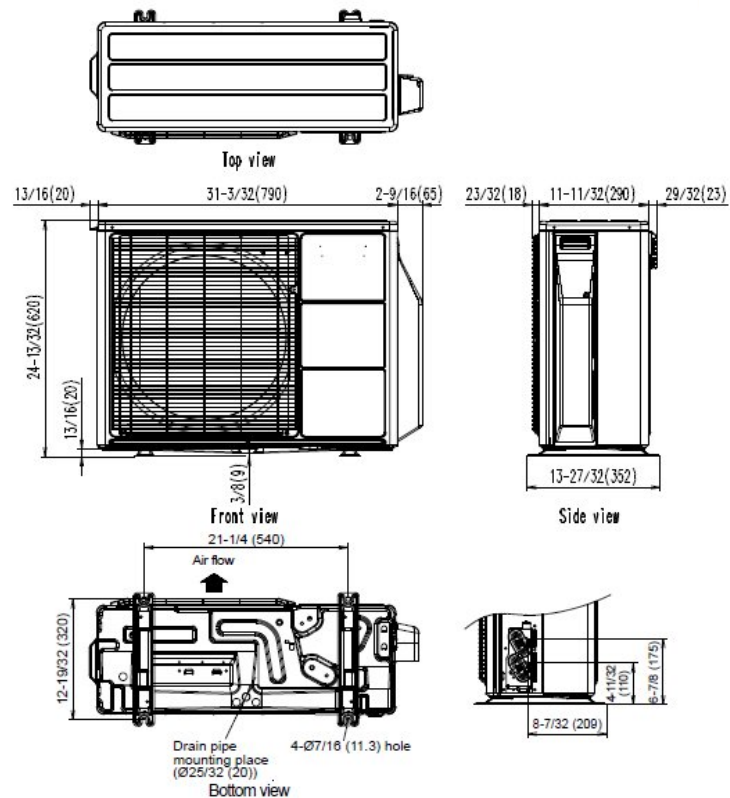
<b>Weight</b>	Outdoor
Net	84lbs (38kg)
Gross Shipping	93lbs (42kg)

<b>Cooling</b>	
Rated Capacity	9,000BTU/h
Min-Max Capacity	3,100~12,000BTU/h
Rated Power Input	2.64kw
Max. Power Input	3.60kw
SEER	27.2
Outdoor Sound Rating	48dB

<b>Heating</b>	
Rated Capacity	12,000BTU/h
Min-Max Capacity	3,100~22,000BTU/h
Rated Power Input	3.52kw
Max. Power Input	6.45kw
HSPF	12.5
Outdoor Sound Rating	49dB

<b>Piping Lengths</b>	
Max. Piping Length (Total)	66ft
Max. Pipe Height Difference	49ft
Connection method	(Flared)

<b>Operating Range</b>	
Cooling	14°F~115°F DB
Heating	-5°F~75°F DB



Fujitsu General America, Inc.  
 Fairfield, NJ 07004  
 Toll Free: 1-888-888-3424  
 Fax: (973) 836-0447  
 www.fujitsugeneral.com

Fujitsu products are subject to continuous improvements. Fujitsu reserves the right to modify product design, specifications and information in this data sheet without notice and without incurring any obligations.

Note: Specifications are based on the following conditions.

Power source of specifications : 230V

Cooling: Indoor temperature of 80°F(26.67°C)DB / 67°F(19.44°C)WB, and outdoor temperature of 95°F(35°C)DB/75°F(23.89°C)WB.

Heating: Indoor temperature of 70°F(21.11°C)DB / 60°F(15.56°C)WB, and outdoor temperature of 47°F(8.33°C)DB/43°F(6.11°C)WB.

Pipe length : 24ft. 7in.(7.5m), Height difference : 0 ft.(0m) [Outdoor unit - Indoor unit]



